

LED orientation light white LED illumination

Order-No. : 1161 66

LED orientation light white LED illumination

Order-No. : 1161 67

LED orientation light white LED illumination

Order-No. : 1161 65

LED orientation light blue LED illumination

Order-No. : 1162 66

LED orientation light blue LED illumination

Order-No. : 1162 67

LED orientation light blue LED illumination

Order-No. : 1162 65

LED orientation light orange LED illumination

Order-No. : 1159 66

LED orientation light orange LED illumination

Order-No. : 1159 67

LED orientation light orange LED illumination

Order-No. : 1159 65

Operating instructions**1 Safety instructions**

Electrical equipment may only be installed and fitted by electrically skilled persons.

Failure to observe the instructions may cause damage to the device and result in fire and other hazards.

Danger of electric shock. Always disconnect device before working on it. At the same time, take into account all circuit breakers that supply dangerous voltage to the device.

Fire hazard. Do not operate the LED luminaires on a dimmer. The LED luminaires cannot be dimmed.

The LED luminaires may not be operated on an electronic switching insert (e.g. Tronic or Triac insert). The switching inserts could be damaged.

The device is not suitable for use in safety systems or as an emergency light.

These instructions are an integral part of the product, and must remain with the end customer.

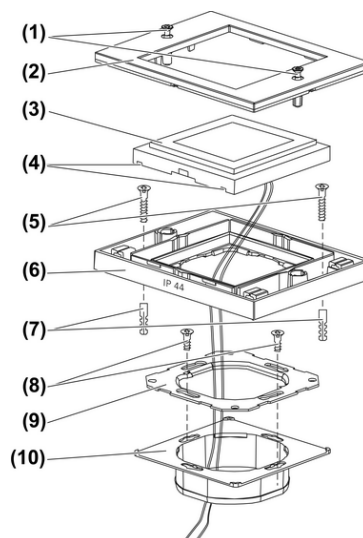
2 Device components

Figure 1: Orientation light in IP 44 housing

- (1) Torx screws
- (2) Cover plate
- (3) LED orientation light
- (4) Condensation water holes
- (5) Fastening screws
- (6) Cover frame
- (7) Anchor
- (8) Supporting frame screws
- (9) Supporting frame
- (10) Sealing flange

3 Function

Intended use

- LED luminaire for orientation
- Installation in appliance box to DIN 49073

Product characteristics

- Can be installed splash-protected in TX 44 housing
 - Usable in switch combinations or individually
 - Makes it easier to find switches and to orient oneself in dark rooms
- i** Due to manufacturing tolerances during LED manufacture, noticeable differences in brightness and colour are possible.

4 Information for electrically skilled persons

4.1 Fitting and electrical connection

Connecting and installing orientation light



DANGER!

Electrical shock when live parts are touched.

Electrical shocks can be fatal.

Before working on the device, disconnect the power supply and cover up live parts in the working environment.

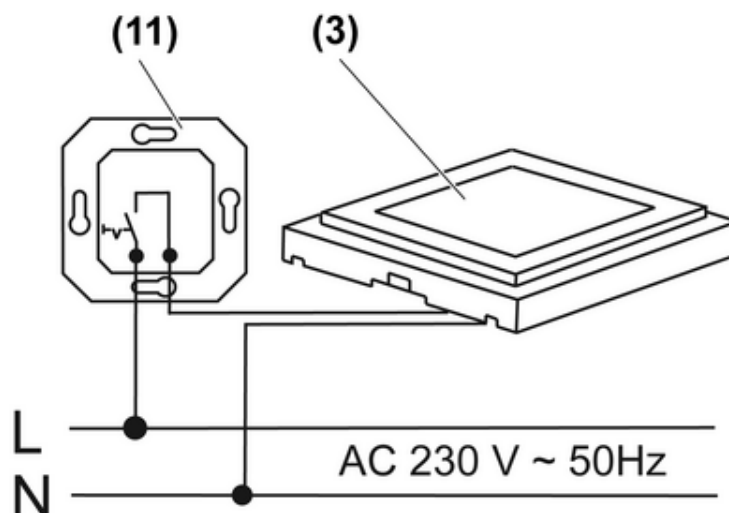


Figure 2

- Connect orientation light (3) to 230 V AC in accordance with connection example (Figure 2) using the enclosed terminals. The phase conductor is connected to the brown cable and the neutral conductor is connected to the blue cable. If desired, an installation switch (11) or a relay switch can be used for switching off.

In order to ensure degree of protection IP 44, assembly must be performed as shown (Figure 1).

- Insert sealing flange (10) together with supporting frame (9) into the appliance box and fasten with the supporting frame screws (8).
- Position cover frame (6) and fasten to the wall with enclosed anchors (7) and fastening screws (5).
- Attach orientation light (3). Condensation water holes (4) must be at the bottom.
- Fit cover plate (2) and secure with Torx screws (1).

Dismantling the orientation light

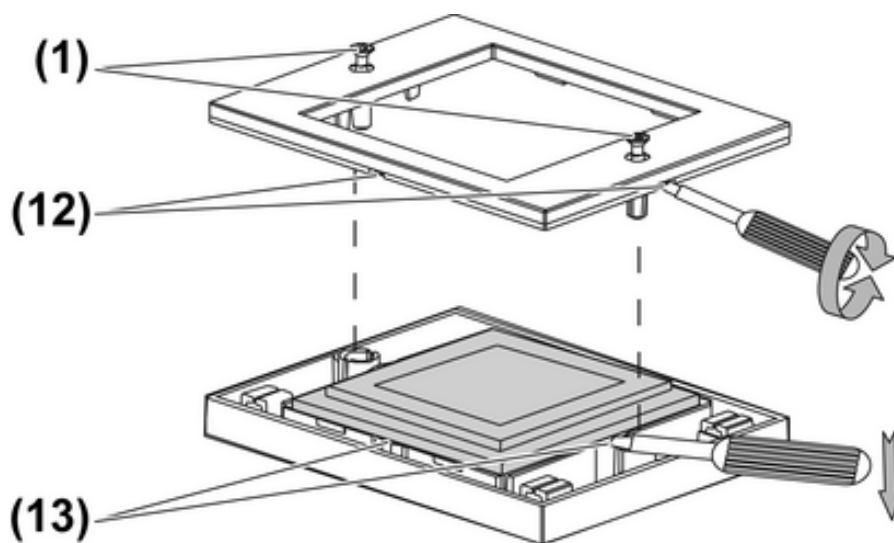


Figure 3

- Loosen Torx screws (1).
- Using a screwdriver, reach into the recesses (12) provided in the cover frame and detach the cover plate.
- Using a screwdriver, reach into the recesses (13) provided in the orientation light and detach the orientation light.

5 Appendix

5.1 Technical data

Rated voltage	AC 230 V ~
Mains frequency	50 Hz
Power consumption	6.5 VA
Power factor	approx. 0.1
Ambient temperature	-15 ... 50 °C
Connection cable	
Finely stranded	0.75 mm ²
Cable length	approx. 100 mm

Order no.	Light colour	Number of LEDs
1161..	white	6
1162..	blue	6
1159..	orange	8

5.2 Warranty

The warranty is provided in accordance with statutory requirements via the specialist trade.

Please submit or send faulty devices postage paid together with an error description to your responsible salesperson (specialist trade/installation company/electrical specialist trade). They will forward the devices to the Gira Service Center.

Gira
Giersiepen GmbH & Co. KG
Elektro-Installations-
Systeme

Industriegebiet Mermbach
Dahlienstraße
42477 Radevormwald

Postfach 12 20
42461 Radevormwald

Deutschland

Tel +49(0)21 95 - 602-0
Fax +49(0)21 95 - 602-399

www.gira.de
info@gira.de